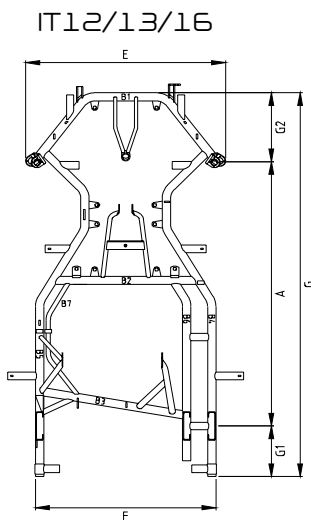
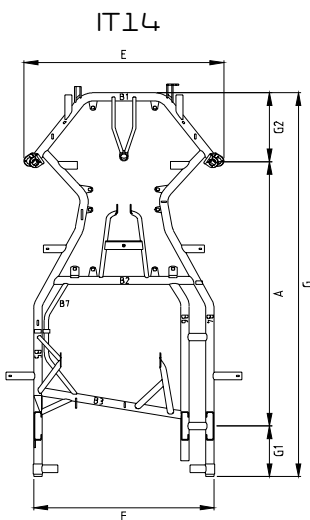






*All the chassis with:
aluminum alloy front hub, magnesium wheel 130|210 5"
and steering wheel D320 alcantara with logo*



	IT12	IT13	IT14	IT16		mm
					A	±0.5
					B1	±0.5
					B2	±0.5
					B3	±0.5
					B4	±0.5
					B5	±0.5
					B6	±0.5
					B7	±0.5
					E	±10
					F	±10
					G	±10
					G1	±10
					G2	±10

COD.	OMOLOGAZIONE	HOMOLOGATED	S.	Euro
For no gearbox category				
IT12	ICAJ-ICA-ICC-SICC-ICE		A	2.780
IT13	ICAJ-ICA-ICC-SICC-ICE			
IT14	ICAJ-ICA-ICC-SICC-ICE			
IT16	ICAJ-ICA-ICC-SICC			
For gearbox category				
IT12	ICAJ-ICA-ICC-SICC-ICE		A	3.560
IT13	ICAJ-ICA-ICC-SICC-ICE			
IT14	ICAJ-ICA-ICC-SICC-ICE			
IT16	ICAJ-ICA-ICC-SICC			
	Scocca	Bare chassis	C	1.050
	Scocca (per motori con cambio)	Bare chassis (for engine with gearbox)	C	1.090

	PIANTONE	STEERING COLUMN		
014	Piantone	Steering column	B	33,00
014B	Rondella bidiametro	Bidiameter washer	B	1,50
014C	Spessore	Spacer	B	1,60
032	Fermo snodo sferico dx	Spherical joint lock nut (right side)	B	2,50
033	Fermo snodo sferico sx	Spherical joint lock nut (left side)	B	2,50
034	Snodo sferico dx	Spherical joint (right side)	B	9,90
035	Snodo sferico sx	Spherical joint (left side)	B	9,90
036	Tirante sterzo 26S/70/7S/80 mm (fe)	Pulling steering 26S/70/7S/80 mm (iron)	B	8,50
036A	Tirante sterzo 26S/70/7S/80 mm (al)	Pulling steering 26S/70/7S/80 mm (al)	B	18,00
048	Mozzo volante in alluminio	Aluminum hub for steering wheel	B	27,00
049	Supporto piantone (polimero)	Steering column boss (polymer)	B	4,00
103	Uniball piantone	Steering wheel uniball	B	9,00
104	Sieger sicurezza per uniball piantone	Safety circlip for steering wheel uniball	B	1,50
129	Rondella conica M8 in alluminio	M8 conic washer (aluminum)	B	2,90
144A	Sieger sicurezza per piantone	Safety circlip for steering column	B	1,20

	FUSELLO - D17	STUB AXLE - D17		
015	Fusello lato freno con cuscinetti	Stub axle brake side with bearings	B	84,00
016	Fusello lato motore con cuscinetti	Stub axle engine side with bearings	B	84,00
018	Fusello lato freno per pinze anteriori con cus.	Stub axle brake side for front brake caliper	B	89,00
019	Fusello lato motore per pinze anteriori con cus.	Stub axle engine side for front brake caliper	B	89,00
022	Cuscinetto fusello	Stub axle bearing	B	2,50
023	Distanziale cuscinetti fusello	Stub axle bearings spacer	B	1,90
024	Distanziale fusello 5mm in alluminio	Stub axle spacer 5mm (aluminum)	B	3,40
025	Distanziale fusello 10mm in alluminio	Stub axle spacer 10mm (aluminum)	B	3,90
025A	Distanziale fusello 20mm in alluminio	Stub axle spacer 20mm (aluminum)	B	4,40
063	Dado ruota	Wheel nut	B	3,80
64C	Cuscinetto fusello/mozzo	Stub axle/front hub bearing	B	6,40
64D	Mozzo L60 in alluminio con cuscinetti	Front hub L60 (aluminum) with bearings	C	63,00
64E	Mozzo L70 in alluminio con cuscinetti	Front hub L70 (aluminum) with bearings	C	64,50
066	Prigionieri mozzi	Hub stud	B	3,10
066A	Dado mozzo	Hub nut	B	3,10

	FUSELLO - D25	STUB AXLE - D25		
015A	Fusello lato freno con cuscinetti	Stub axle brake side with bearings	C	109,00
016A	Fusello lato motore con cuscinetti	Stub axle engine side with bearings	C	109,00
018A	Fusello lato freno per pinze anteriori con cus.	Stub axle brake side for front brake caliper	C	118,00
019A	Fusello lato motore per pinze anteriori con cus.	Stub axle engine side for front brake caliper	C	118,00
022A	Cuscinetto fusello	Stub axle bearing	C	3,50
023A	Distanziale cuscinetti fusello	Stub axle bearings spacer	C	3,10
024A	Distanziale fusello 5mm in alluminio	Stub axle spacer 5mm (aluminum)	C	3,40
024B	Distanziale fusello 15mm in alluminio	Stub axle spacer 15mm (aluminum)	C	4,20
024C	Rondella sicurezza in alluminio	Safety washer (aluminum)	C	3,90
063	Dado ruota	Wheel nut	B	3,80
64F	Cuscinetto fusello/mozzo	Stub axle/front hub bearing	B	6,90
64G	Mozzo L60 in alluminio con cuscinetti	Front hub L60 (aluminum) with bearings	C	63,00
64H	Mozzo L70 in alluminio con cuscinetti	Front hub L70 (aluminum) with bearings	C	64,50
66	Prigionieri mozzi	Hub stud	B	3,10
66A	Dado mozzo	Hub nut	B	3,10

	PERNO FUSELLO - M8	STUB AXLE KING PIN - M8		
026	Dado perno ruota	Stub axle nut	B	2,50
027	Perno fusello	Stub axle king pin	B	3,90
028	Rondella sottoperno	Stub axle bolt washer	B	1,50
029	Spessore fusello	Stub axle spacer	B	3,80
030	Guida perno	King pin guide	B	3,80
031	Escentrico da 0.5"/1"/1.5"	Off set washer 0.5"/1"/1.5"	B	5,20

	PERNO FUSELLO - M10	STUB AXLE KING PIN - M10		
026A	Dado perno ruota	Stub axle nut	B	2,80
027A	Perno fusello	Stub axle king pin	B	6,50
029A	Spessore fusello h5.00/5.25/5.50	Stub axle spacer h5.00/5.25/5.50	B	3,80

030A	Guida perno	Uniball stub axle mount	C	39,00
031A	Escentrico da 0.5"/1/1.5"	Uniball stub axle off set mount 0.5"/1/1.5"	C	39,00
031B	Snodo sferico	Spherical joint	B	5,20
031C	Anello elastico sicurezza snodo	Safety circlip for spherical joint	B	1,50
031D	Rondella bidiametro	Bidiameter washer	B	1,80
031E	Viti M4x10	Screw M4x10	B	0,60

	PIASTRA MOTORE	ENGINE MOUNTING		
041	Piastra motore a slitta in alluminio (completa)	Special engine mounting in aluminum (compl.)	B	196,00
041A	Piastra motore a slitta in magnesio (completa)	Special engine mounting in mg. (compl.)	B	222,00
041B	Piastra motore semplice in magnesio (comp.)	Simple engine mounting in magnesium (compl.)	B	102,00
042	Slitta superiore in alluminio	Top side in aluminum	B	98,00
042A	Slitta superiore in magnesio	Top side in magnesium	B	110,00
043	Slitta inferiore in alluminio	Bottom side in aluminum	B	68,00
043A	Slitta inferiore in magnesio	Bottom side in magnesium	B	80,00
044	Cavallofo	Clamp	B	16,00
045	Brugola M10x30	Allen bolt M10x30	B	1,80
046	Brugola M10x40	Allen bolt M10x40	B	1,80
047	Brugola M10x45	Allen bolt M10x45	B	1,80
047A	Rondella piastra	Special mounting washer	B	2,40

	CERCHI 5"	WHEELS 5"		
055	Cerchio anteriore 130 magnesio	Front wheel 130 magnesium	B	90,00
060	Cerchio posteriore 210 magnesio	Rear wheel 210 magnesium	B	95,00
061	Valvola tubeless corta	Tubeless valve	B	2,80
061A	Viti antistallonamento	Safety screw for wheels	B	0,60
061B	Or viti antistallonamento	Safety "O" ring for wheels	B	1,70
061C	Set cerchi completo (argento, nero, oro)	Complete set of wheels (silver, black or gold)	B	370,00

	POSTERIORE - D40	REAR ACCESSORIES - D40		
064	Mozzo L60 in alluminio	Hub L60 in aluminum	B	65,00
065	Mozzo L100 in alluminio	Hub L100 in aluminum	B	71,00
066	Prigioniero mozzo	Hub stud	B	3,10
066A	Dado mozzo	Hub nut	B	3,10
066B	Rondella mozzo	Hub washer	B	1,20
067	Porta corona in alluminio	Sprocket carrier in aluminum	B	62,00
069	Porta disco in alluminio	Rear disk carrier in aluminum	B	60,50
068	Chiavetta assale 8x40	Axle key 8x40	B	3,20
072	Assale STANDARD 1060	Rear axle HARD 1060	B	119,00
072B	Assale RACING 1060	Rear axle SOFT 1060	B	119,00
073	Assale STANDARD 1000	Rear axle HARD 1000	B	119,00
073B	Assale RACING 1000	Rear axle SOFT 1000	B	119,00
074	Cuscinetto assale	Axle bearing	B	45,50
075	Porta cuscinetto in alluminio	Bearing house in aluminum	B	74,00

	POSTERIORE - D50	REAR ACCESSORIES - D50		
064A	Mozzo L60 in alluminio	Hub L60 in aluminum	C	68,00
064B	Mozzo L70 in alluminio	Hub L70 in aluminum	C	70,00
065A	Mozzo L100 in alluminio	Hub L100 in aluminum	C	74,00
066	Prigioniero mozzo	Hub stud	B	3,10
066A	Dado mozzo	Hub nut	B	3,10
066B	Rondella mozzo	Hub washer	B	1,20
067A	Porta corona in alluminio	Sprocket carrier in aluminum	C	69,00
069A	Porta disco in alluminio	Rear disk carrier in aluminum	C	67,50
068A	Chiavetta con guide a 3 pioli	Axle key with guide	B	6,50

072A	Assale STANDARD 1060	Rear axle HARD 1060	B	129,00
072C	Assale RACING 1060	Rear axle SOFT 1060	B	129,00
072D	Assale STANDARD 1040	Rear axle HARD 1040	B	129,00
072E	Assale RACING 1040	Rear axle SOFT 1040	B	129,00
073A	Assale STANDARD 1000	Rear axle HARD 1000	B	129,00
073C	Assale RACING 1000	Rear axle SOFT 1000	B	129,00
074A	Cuscinetto assale	Axle bearing	B	46,00
075A	Porta cuscinetto in alluminio	Bearing house in aluminum	B	79,00
075E	Rondella porta cuscinetto	Bearing house washer	B	1,50

	PORTA MARMITTA	EXHAUST SADDLE		
076	Prolunga L85	Extension L85	B	6,50
076A	Prolunga L155	Extension L155	B	8,00
077*	Porta marmitta completo	Exhaust saddle complete	B	39,50
078*	Molla	Spring	B	3,40
079*	Rondella a bicchierino in polimero	Special nylon washer for rubber cap	B	2,20
079A*	Rondella conica in nylon	Nylon countersunk washer	B	3,20
080*	Spessore in gomma in polimero	Rubber spacer in polymer	B	2,80
080A*	Porta marmitta	Exhaust saddle	B	24,50
080B	Attacco telaio/porta marmitta cromato	Chassis/exhaust saddle attack	B	23,00
080C	Rondella conica in alluminio	Aluminum conic washer	B	2,80

	POMPA FRENO	BRAKE MASTER CYLINDER		
107	Filo freno completo	Brake cable complete	B	16,00
109	Pompa freno idraulica completa (± 07)	Brake master cylinder complete (± 07)	B	102,00
109A	Pompa freno idraulica nuda	Bare brake master cylinder	B	48,00
109B	Molla	Spring	B	2,40
109C	Gommino a tazza	Seal ring	B	4,60
109D	Pompante	Pressure cylinder	B	11,00
109E	Spinetta 18mm	Pin 18mm	B	2,40
109F	Spinetta 26mm	Pin 26mm	B	2,60
109G	Vite spurgo	Oil screw	B	1,60
109H	Rondella vite spurgo naylon	Naylon oil screw washer	B	1,20
109I	Rondella bidiametro	Bidiametral washer	B	1,20
109L	Leveraggio pompa alto	Brake cylinder lever (top)	B	11,00
109M	Leveraggio pompa basso	Brake cylinder lever (bottom)	B	13,00
111A	Copri polvere	Dust cover	B	9,00
114	Raccordo pompa	Master cylinder connection	B	5,80
144	Fermo per spinetta	Safety Circlip	B	1,20

	POMPA FRENO Doppio Impianto	BRAKE MASTER CYLINDER Double system		
107A	Distributore freno pinze anteriori e posteriori	Distributor for front and rear brake caliper	B	64,00
109B	Molla	Spring	B	2,40
109E	Spinetta 18mm	Pin 18mm	B	2,40
109F	Spinetta 26mm	Pin 26mm	B	2,60
109G	Vite spurgo	Oil screw	B	1,60
109H	Rondella vite spurgo naylon	Naylon oil screw washer	B	1,20
109L	Leveraggio pompa alto	Brake cylinder lever (top)	B	11,00
109M	Leveraggio pompa basso	Brake cylinder lever (bottom)	B	13,00
110	Pompa freno idraulica completa ($\pm 07A$)	Brake master cylinder complete ($\pm 07A$)	B	128,00
110A	Pompa freno idraulica nuda	Bare brake master cylinder	B	62,00
110B	Forca per attacco distributore pinze	Brake master cylinder fork	B	7,50
110C	Gommino	Seal ring	B	4,90
110D	Pompante	Pressure cylinder	B	14,00

110E	Coperchio in alluminio	Aluminum cover	B	14,50
110F	Guarnizione coperchio alluminio	Aluminum cover gasket	B	2,80
111A	Copri polvere	Dust cover	B	9,00
114	Raccordo tubazione freno/pompa	Extension brake master cylinder/pipe	B	5,80
144	Fermo per spinetta	Circlip	B	1,20
175	Tirante pompa	Pump brake rod	B	14,00

	PINZA FRENO ANTERIORE	FRONT BRAKE CALIPER		
070B	Disco freno ventilato	Ventilated disk	B	89,00
111A	Pinza freno anteriore completa (Ø70B ±170)	Front brake caliper complete (Ø70B ±170)	B	168,00
113*	Raccordo a "T"	"T" connection	B	3,90
116	Raccordo a "L"	"L" connection	B	3,40
120A	Pastiglia freno	Brake pad	B	18,40
143A	Spinetta sicurezza	Safety pin	B	3,60
143B	Rullino di guida semipinze	Half brake caliper drive pin	B	1,20
143C	Or di tenuta semipinze	Half brake caliper safety "O" ring	B	0,80
144	Fermo per spinetta	Safety Circlip	B	1,20
145	Vite spurgo	Oil screw	B	1,20
146	Rondella per vite spurgo	Oil screw washer	B	0,80
152A	Pinza freno anteriore nuda	Bare front brake caliper	B	83,00
155A	Pompante	Pressure cylinder	B	11,00
156A	Gommino	Seal ring	B	4,90
157A	Molla richiamo pastiglia	Brake pad spring	B	2,20
158A	Vite richiamo pastiglia	Brake pad screw	B	1,80
158B	Vite blocca pinza	Brake caliper screw	B	0,80
159A	Boccola richiamo vite pastiglia	Brake pad bush	B	3,40
170*	Tubazione anteriore corazzata completa	Hp front brake pipe complete	B	84,50
170A**	Tubazione corazzata 480mm	Hp brake pipe 480mm	B	23,30
171B*	Tubazione corazzata 700mm	Hp brake pipe 700mm	B	34,00

	PINZA FRENO POSTERIORE	REAR BRAKE CALIPER		
070	Disco freno posteriore ventilato	Ventilated rear disk	B	91,00
108	Pinza freno idraulica completa (Ø70 ±22)	Complete rear brake caliper (Ø70 ±22)	B	174,00
112	Raccordo a "L"	"L" connection	B	3,40
113*	Raccordo a "T"	"T" connection	B	3,90
115	Prolunga raccordo pinza	Brake caliper extension	B	5,80
119	Pastiglia freno	Brake pad	B	19,80
122*	Tubazione posteriore corazzata completa	Hp rear brake pipe complete	B	54,00
122A*	Tubazione corazzata 210mm	Hp brake pipe 210mm	B	10,20
122B*	Tubazione corazzata 310mm	Hp brake pipe 310mm	B	15,00
122C*	Tubazione corazzata 510mm	Hp brake pipe 510mm	B	24,90
123	Brugola 10 x 140	Allen bolt 10 x 140	B	2,20
124	Brugola 10 x 110	Allen bolt 10 x 110	B	2,20
124A	Rondella	Washer	B	1,20
124B	Dado	Nut	B	1,20
125	Distanziale 34mm in alluminio	Spacer 34mm aluminum	B	4,60
126	Distanziale 20mm in alluminio	Spacer 20mm aluminum	B	4,10
141	Pinza freno nuda	Bare brake caliper	B	92,00
142A	Semipinza freno	Half brake caliper	B	48,00
143	Spinetta sicurezza	Safety pin	B	3,60
144	Fermo per spinetta	Circlip	B	1,20
145	Vite spurgo	Oil screw	B	1,20
146	Rondella per vite spurgo	Oil screw washer	B	0,80
147	Pompante	Pressure cylinder	B	11,00

148	Gommino a tazza	Seal ring	B	4,80
150	Molla per vite pastiglia	Spring for brake pad	B	2,20
151A	Boccola guida con vite pastiglia	Brake pad screw with bush	B	5,20
151B	Supporto pinza freno cromato	Brake caliper boss chromium plated	B	21,90

	PARAURTI	BUMPER		
007	Paraurti anteriore	Front bumper	B	37,00
007C	Paraurti anteriore inferiore	Front bottom bumper	B	35,00
009A	Barretta posteriore D16	Rear bar D16	B	21,50
010	Pedale acceleratore	Throttle pedal	B	25,00
011	Pedale freno	Brake pedal	B	25,00
012	Supporto carenatura destra	Right body support	B	47,00
013	Supporto carenatura sinistra	Left body support	B	47,00
013A	Gommino per supporto laterale	Rubber sleeve for nerf bar	B	4,30
013B	Molla supporto carenatura	Body support spring	B	2,20
039	Perno pedale	Pedal pivot bolt	B	4,10
081	Gommino paraurti posteriore D30 o D32	Rear bumper rubber D30 or D32	B	3,90
082	Tirante gommino paraurti posteriore L140	Rear bumper bolt L140	B	2,20
082A	Tirante gommino paraurti posteriore L150	Rear bumper bolt L150	B	2,20
083	Distanziale interno paraurti posteriore D30 o 32	Rear bumper inside spacer D30 or D32	B	4,20
084	Distanziale esterno paraurti posteriore	Rear bumper outside spacer	B	4,20
085	Dado tirante paraurti posteriore	Rear bumper bolt nut	B	1,20
086	Rondella tirante paraurti posteriore	Rear bumper bolt washer	B	1,20
086A	Dado tirante autobloccante paraurti posteriore	Rear bumper bolt nut self locking	B	1,20
087	Supporto extra per sedile da 240 a 290mm	Extension seat stay from 240 to 290mm	B	8,60
088	Supporto extra per sedile da 300 a 340mm	Extension seat stay from 300 to 340mm	B	8,70
089	Supporto extra per sedile da 350 a 390mm	Extension seat stay from 350 to 390mm	B	8,80
090	Supporto extra per sedile da 400 a 410mm	Extension seat stay from 400 to 410mm	B	8,90
140B	Blocca barra anteriore e posteriore	Front and rear block bar	B	19,50
140D	Barra anteriore	Front bar	B	24,00
140E	Barra posteriore	Rear bar	B	24,00

	CARENATURE	BODYWORK		
051	Staffa supporto frontalino superiore	Front number plate top support	B	14,90
052	Staffa supporto frontalino inferiore	Front number plate bottom support	B	14,50
133*	Set completo (solo plastica)	Bodywork complete set (plastic only)	D	199,00
134A*	Carenatura lato pignone	Side pod sproket side	D	31,00
135*	Carenatura lato freno	Side pod brake side	D	31,00
136*	Musetto	Nassau panel	D	32,00
138*	Spoiler anteriore	Front spoiler	D	49,00
139	Gancio rapido spoiler anteriore	Spring hook connection kit	D	23,00
140	Supporto spoiler anteriore	Front spoiler support	D	9,00
140A*	Spoiler posteriore	Rear spoiler	D	98,50
140B	Kit gancio spoiler posteriore	Rear bumper/spoiler mounting kit	D	95,00
140C	Barra irrigidimento spoiler posteriore	Rear spoiler bar	D	39,00

	ACCESSORI	ACCESSORI		
003	Pianale	Floor tray	B	64,00
004	Sedile misure: 1/S 2/M 2+/M+ 3/L	Seat size: 1/S 2/M 2+/M+ 3/L	B	73,00
006	Volante alcantara con logo D320	Steering wheel alcantara with logo D320	C	94,00
021	Serbatoio 8lt.	Tank 8lt.	D	49,00
021A	Serbatoio recupero	Recoverate tank	D	6,30
095	Paracatena	Chain guard	B	16,00
096	Supporto paracatena	Chain guard support	B	8,70

098	Portanumero	Rear number plate	B	6,50
099	Gommino pianale	Floor tray rubber	B	0,90
101	Rondella D6 sottopianale	Under floor tray washer D6	B	0,80
102	Fermaguaina acceleratore	Throttle cable adjusting	B	5,40
102A	Guaina filo acceleratore 1mt.	Throttle cable girdle 1mt.	B	4,40
105	Morsetto filo freno	Brake cable nipple	B	2,80
106	Morsetto filo gas	Throttle cable nipple	B	2,80
106A	Filo gas	Throttle cable	B	3,50
128	Rondella conica alluminio M6x20	Aluminum conic washer M6x20	B	2,80
129	Rondella conica alluminio M8x22	Aluminum conic washer M8x22	B	2,80
130	Rondella conica alluminio M8x30	Aluminum conic washer M8x30	B	2,90
132	Spessore M8x26,5x4,5	Spacer M8x26,5x4,5	B	3,60
173	Tubazione benzina 1mt.	Fuel pipe 1mt.	B	2,70
180	Tappo D30 o D32 in polimero	Plug D30 or D32 in polymer	B	1,60
180A	Poggiapiede	Feet support	B	5,20

	RICAMBI SPECIALI	SPECIAL PARTS		
160	Porta disco freno anteriore compl. (con disco)	Front disk carrier complete (with disk)	C	183,00
160A	Mozzo anteriore L60mm per cod.160	Front hub L60mm for cod.160	C	51,00
160C	Porta disco freno anteriore	Front brake disk carrier	C	69,00
162	Leva cambio	Gear lever	B	37,00
162A	Pomello leva cambio	Top gear lever	B	22,00
163	Tirante leva cambio	Gear lever stud	B	9,40
165	Uniball maschio per tirante leva cambio	Spherical joint gear lever stud	B	9,90
166	Leva frizione in magnesio	Magnesium clutch lever	B	46,00
167	Mozzo volante in magnesio	Magnesium steering column boss	B	39,00
172B	Supporto silenziatore in alluminio	Aluminum silencer support	B	105,00
171	Pompa acqua	Water pump	B	54,00
171A	Puleggia in polimero	Polymer pulley	B	9,00
171A2	Puleggia in alluminio	Aluminum pulley	B	34,50
171B	Or puleggia pompa acqua	Water pump pulley "O" ring	B	5,90
173A	Tubazione acqua 1mt.	Water pipe 1mt.	B	19,00
173B	Fascetta tubazione acqua	Hose clamp for water pipe	B	3,80
181	Radiatore	Radiator	C	199,00

	ABBIGLIAMENTO/ADESIVI	CLOTHES/STICKERS		
A15	Scarpe pilota	Driver shoes	-	87,00
A19	Guanti da pilota	Driver gloves	-	58,00
A20	Tuta da pilota	Driver suit	-	390,00
S1	Kit adesivi	Stickers kit	-	94,00



Via Santerno, 7A 48015 Savio di Cervia - Ravenna (Italy)

T.+39.0544.927806 F.+39.0544.932261

info@italcorse.net www.italcorse.net